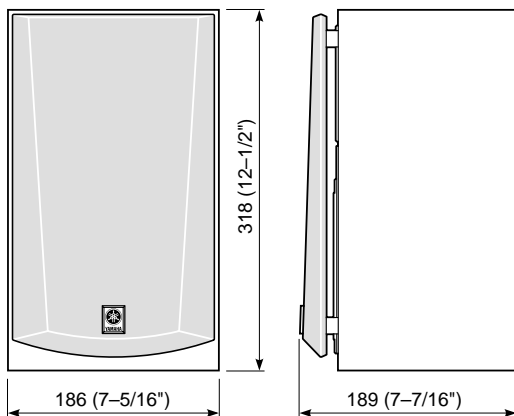


SPEAKER SYSTEM NS-2HX

SERVICE MANUAL

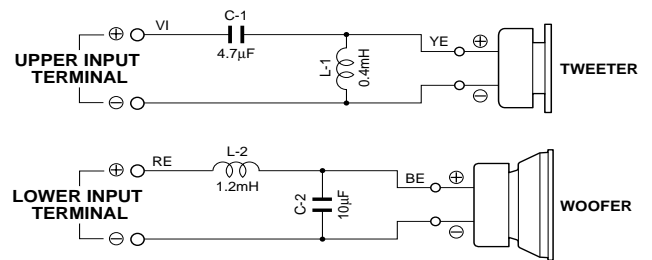
NS-2HX

■ DIMENSIONS



Unit : mm (inch)

■ NETWORK CIRCUIT DIAGRAM



■ SPECIFICATIONS

Type	2-way bass reflex speaker system Magnetic shielding type
Driver	13 cm (5") cone woofer Wave guide horn 3 cm (1") dome tweeter
Impedance	6 ohms
Frequency Response	60 Hz to 50 kHz
Nominal Input	60 W
Maximum Input	200 W
Sensitivity	90 dB/2.83 V/m
Crossover Frequency	2.5 kHz
Input Terminal	Screw/banana Bi-wiring type
Dimensions (W X H X D)	186 x 318 x 189 mm (7-5/16" x 12-1/2" x 7-7/16")
Weight	6.0 kg (13 lbs. 3 oz)

* Specifications subject to change without notice.

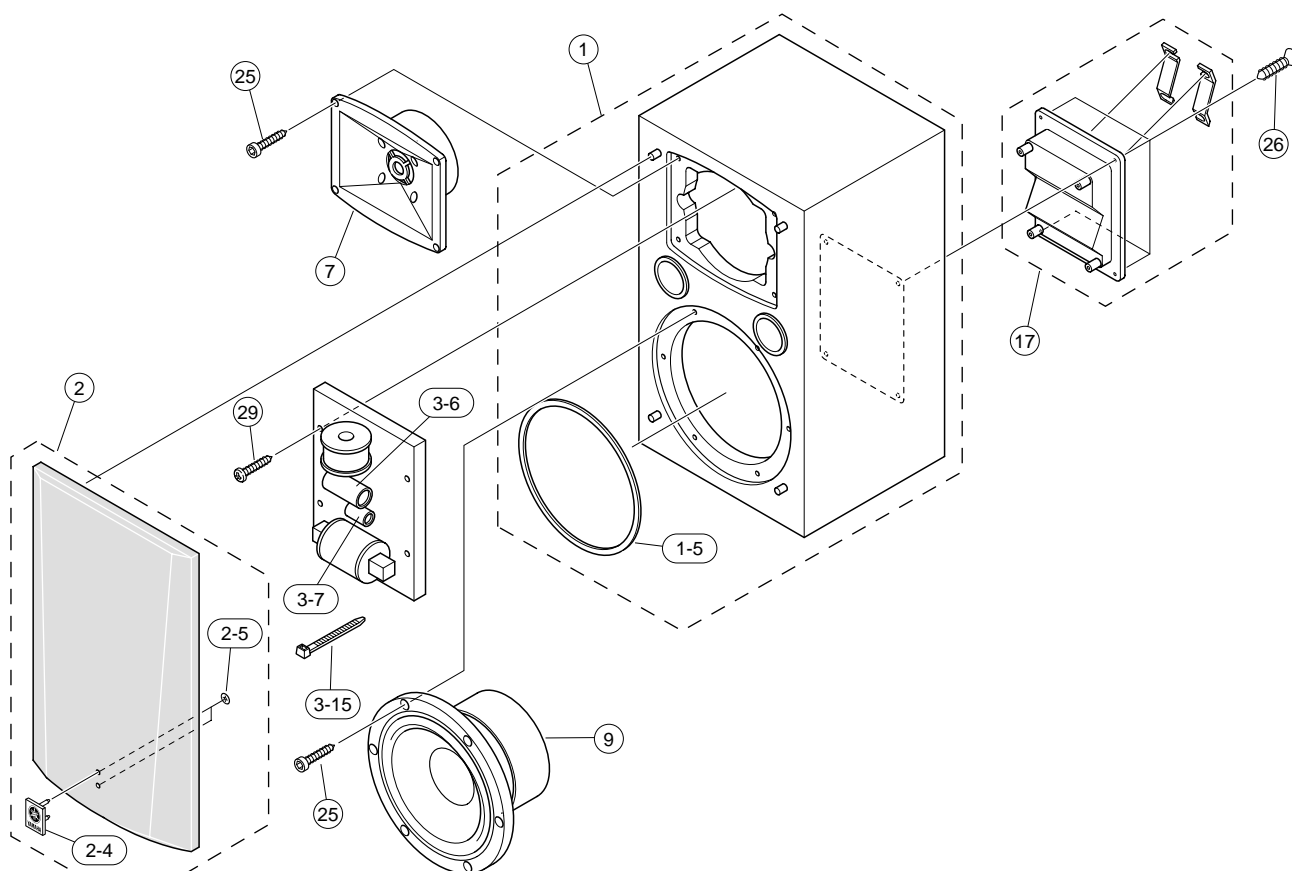


このサービスマニュアルは、エコマーク認定の再生紙を使用しています。
This Service Manual uses recycled paper.



NS-2HX

EXPLODED VIEW



Ref. No.	PART NO.	Description	Remarks	Markets
* 1	V8186900	CABINET ASS'Y	CH	
1-5	V7900000	PACKING		
* 2	V8187000	FRONT GRILLE ASS'Y		
2-4	V2192200	EMBLEM	YAMAHA	
2-5	VP161000	PUSH NUT	SPN1.5	
3-6	V7918400	POLYPROPYLENE FILM CAP	4.7uF 250V	
* 3-7	V8187600	ELECTROLYTIC CAP	10uF 100V	
3-15	V7918700	BINDING TIE	T40I TITON	
* 7	X0311A00	DRIVER, TWEETER	2.5cm 6 50W	JA05V9
* 9	X0308A00	DRIVER, WOOFER	13cm 6 50W	JA1367
17	V7902000	SPEAKER TERMINAL	TST-S85J	
25	V7275700	HEXAGON SOCKET TAPPING SCREW	4x20 MFN133	
26	V5537900	OVAL HEAD TAPPING SCREW #1	3.5x16 MFZN2BL	
29	VF573000	BIND HEAD TAPPING SCREW	4x25 MFZN2BL	

* New Parts